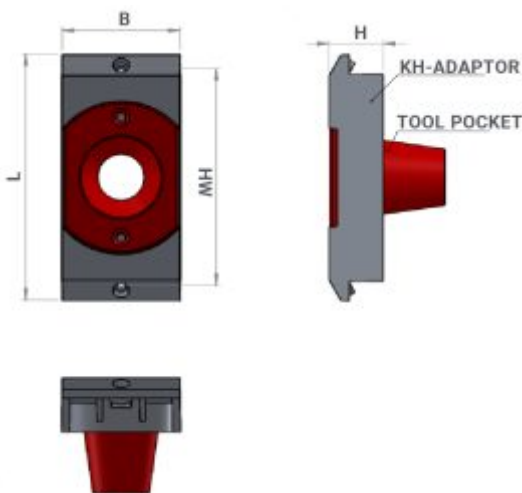
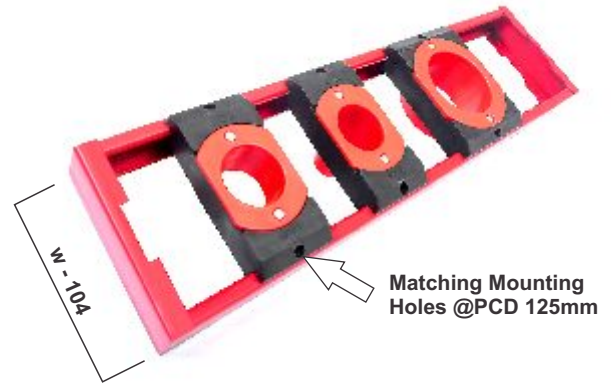


# KH - Adaptor - Tool Pockets

- ✦ Adaptor's that fit Existing Tool Trolley as seen in the picture.
- ✦ KH-40/63 with BT-30 and HSK 63 Taper Tool Pockets.
- ✦ KH-50/100 with BT-50 and HSK 100 Taper Tool Pockets.
- ✦ Easily replaceable on existing tool pocket trolley.
- ✦ Ex-Stock
- ✦ Comes with ready to use Bolting screw and L clip to fit on existing track.
- ✦ Sturdy plastic material and tool pockets with Impact modifier material.
- ✦ Attractive color and ex-stock.



Model	L	B	H	MH
KH-ADP-BT40	136	64.5	30	125
KH-ADP-HSK63	136	64.5	30	125
KH-ADP-BT50	136	100	30	125
KH-ADP-HSK100	136	100	30	125

MH- Mounting Hole size

www.mantra-solutions.com Gen-Rev: 05.02.22